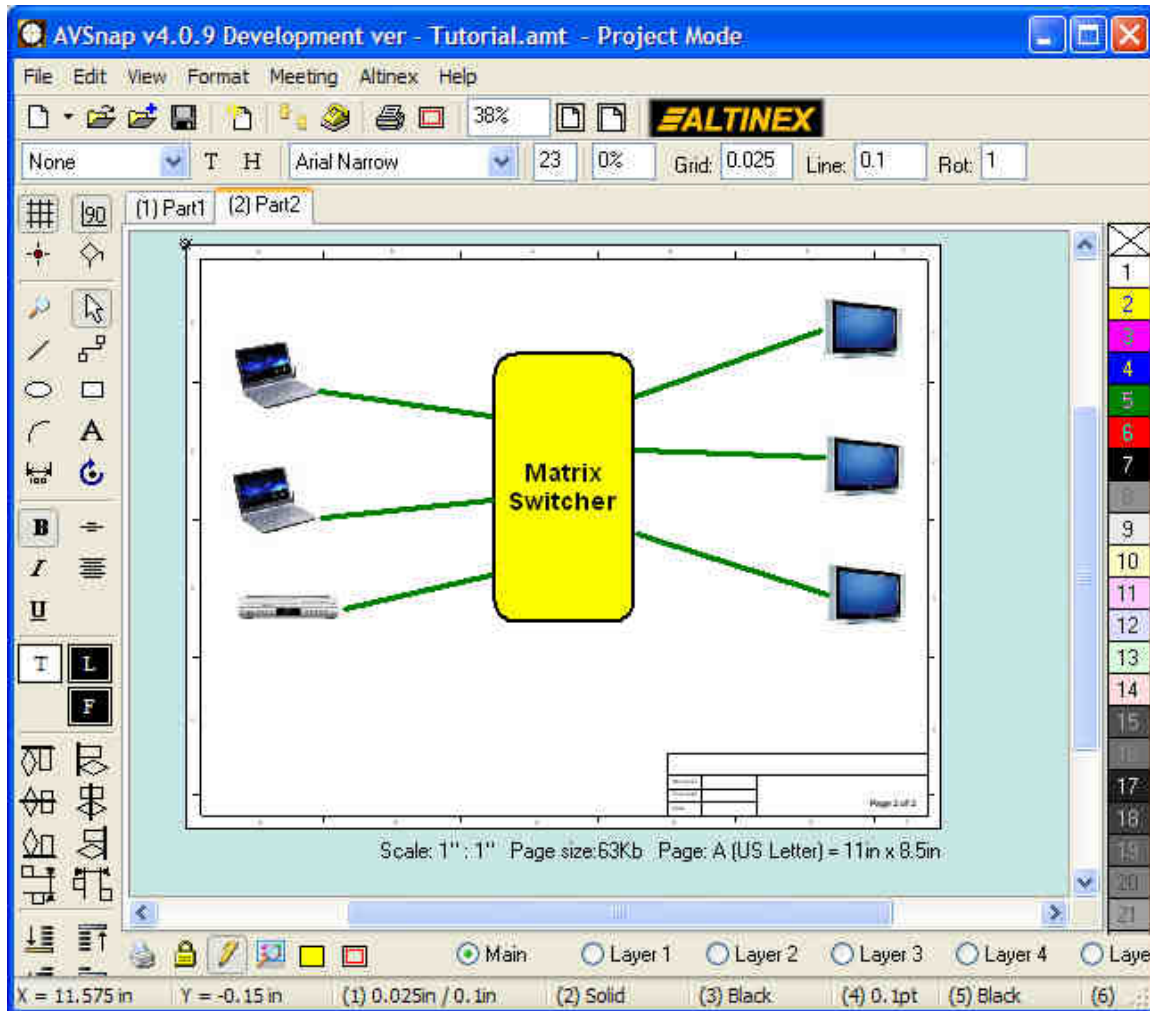
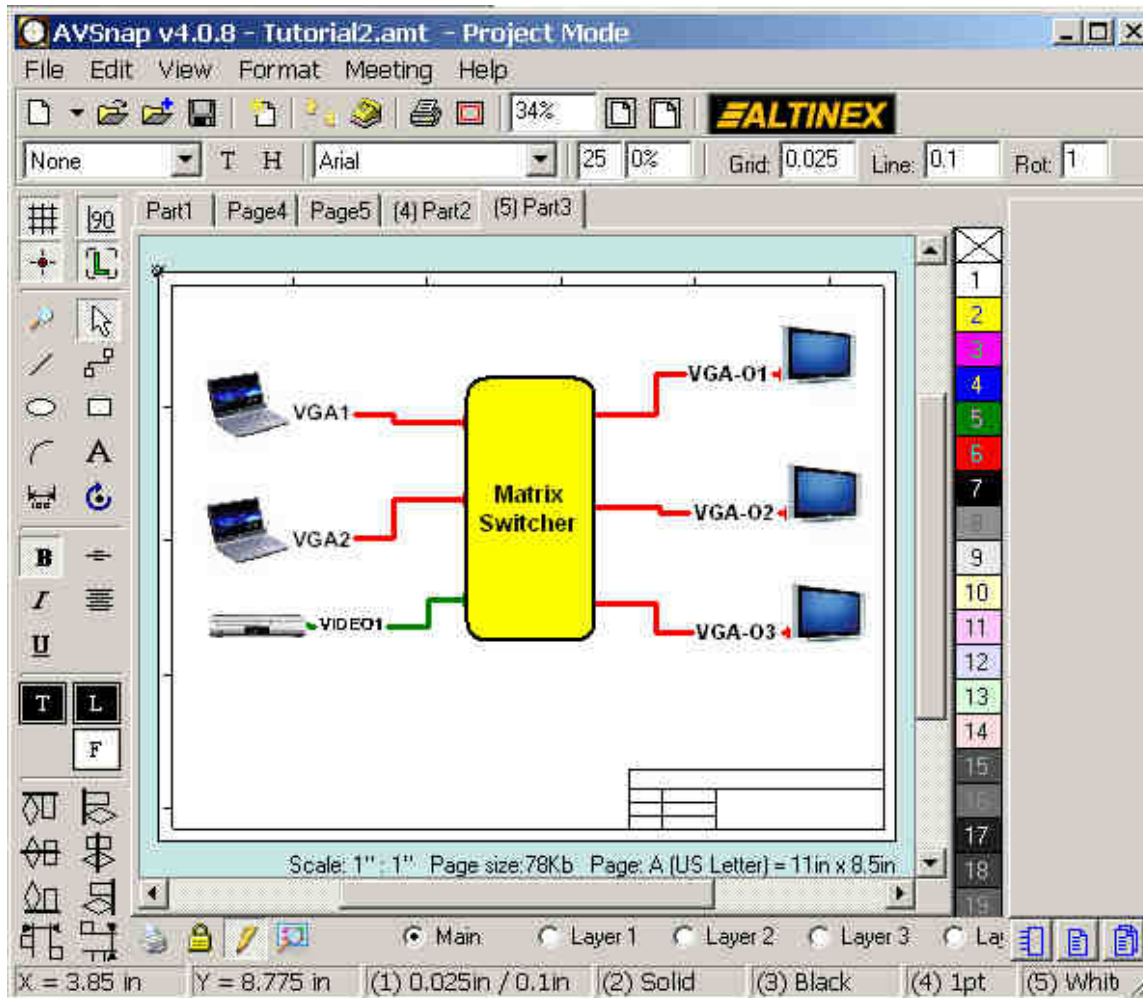


AVSnap Tutorial Part 2


Fine Tune Your AV System Diagram

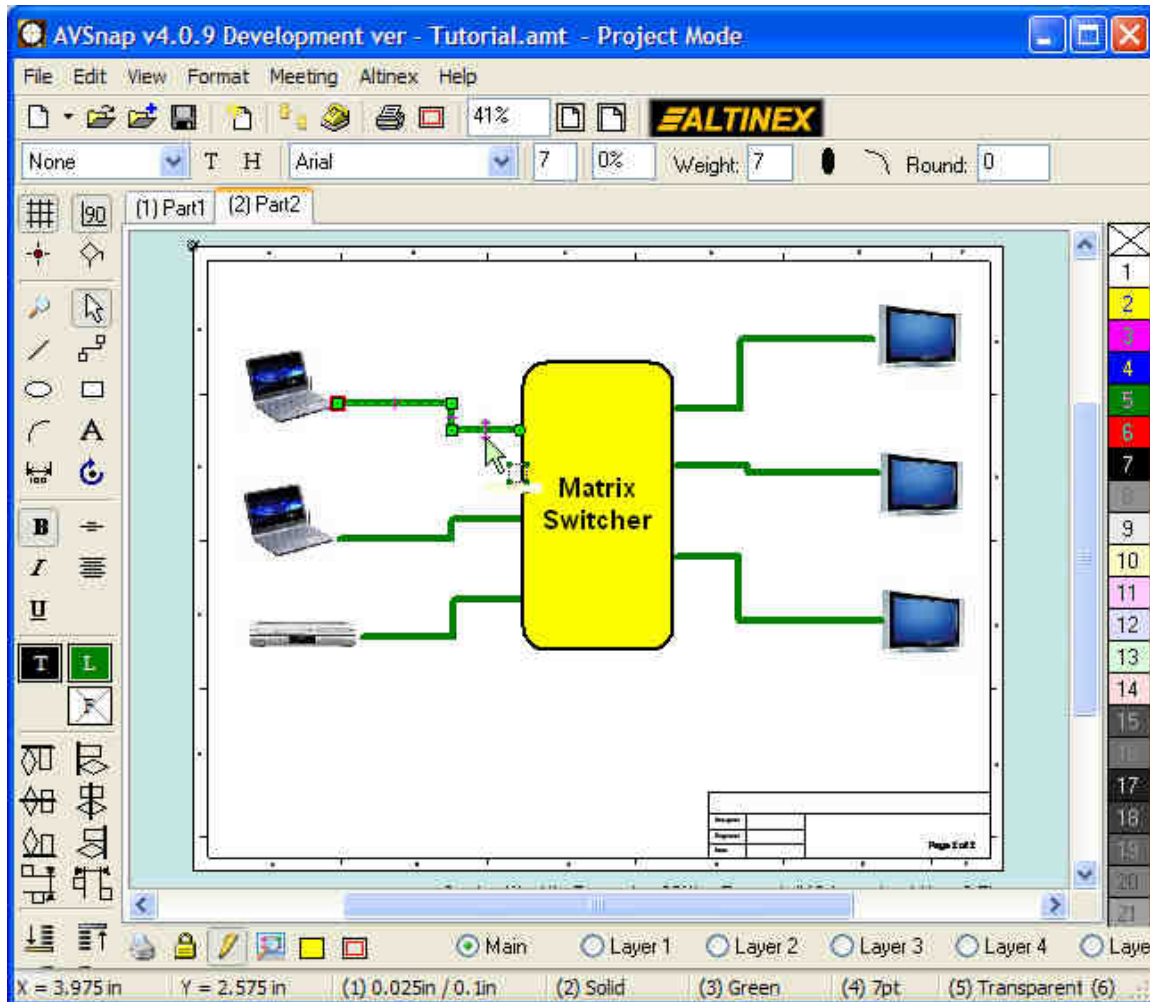
In previous tutorial we have drawn a small AV system using images, cables and rectangle tools. Now let us adjust design to be more presentable.





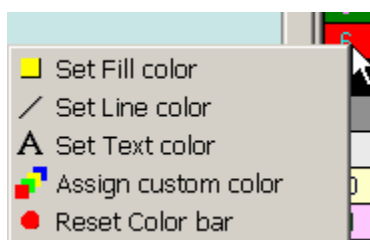
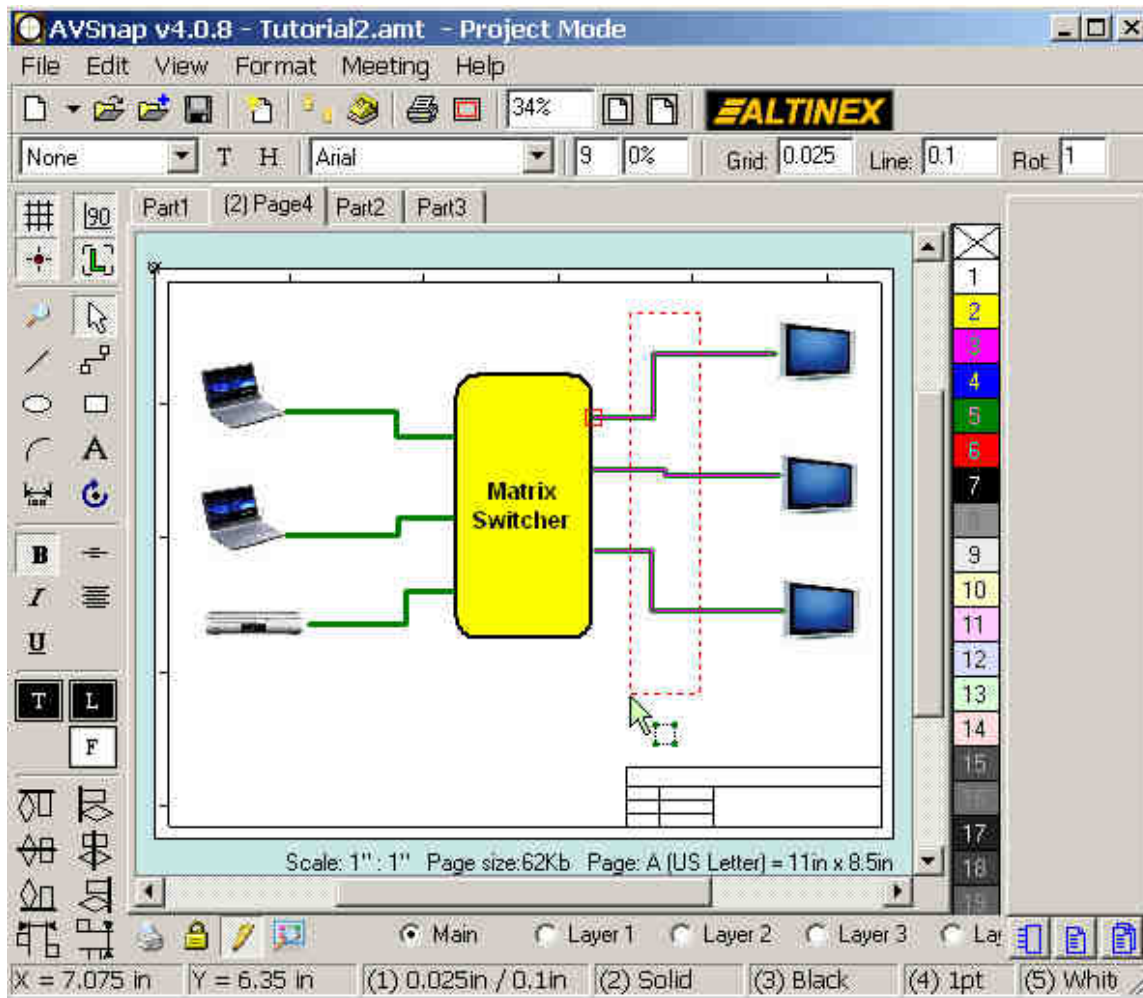
Step 1: Adjust cables

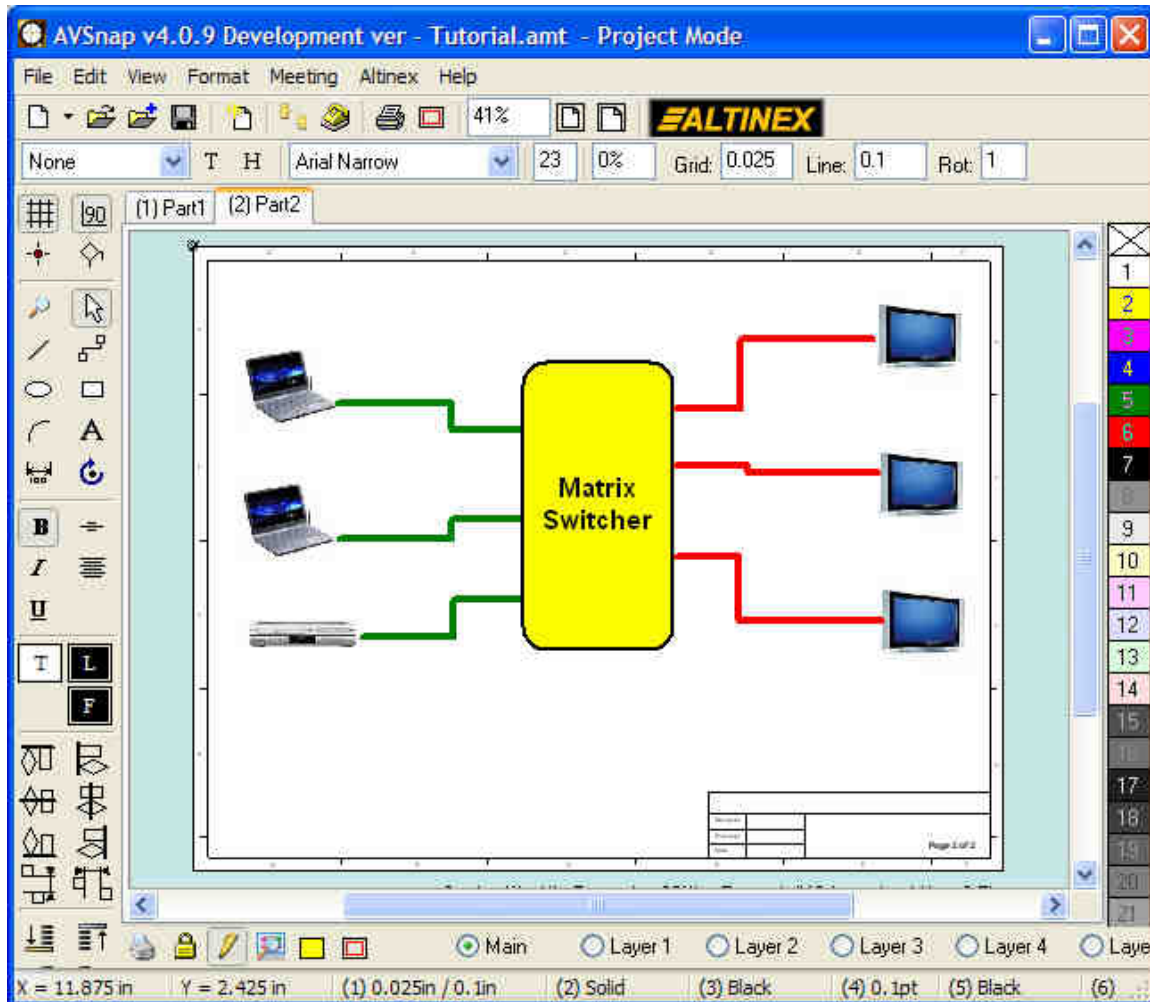
Make sure that DrawAssist is turned on by clicking on the icon on the top left corner . Double click on each cable to create one or more bend point(s) as needed. Click on the bend points to adjust cables so they are aligned. Follow DrawAssist guidelines to align all cables and create 90 degree bends.



Step 2: Change Cable colors

Select all output cables by clicking left button on the mouse and drag from bottom right to left(note: it does not matter from top or bottom) so that only the desired items will be selected. Change cable color by clicking on the color bar on the right and selecting "Line Color".

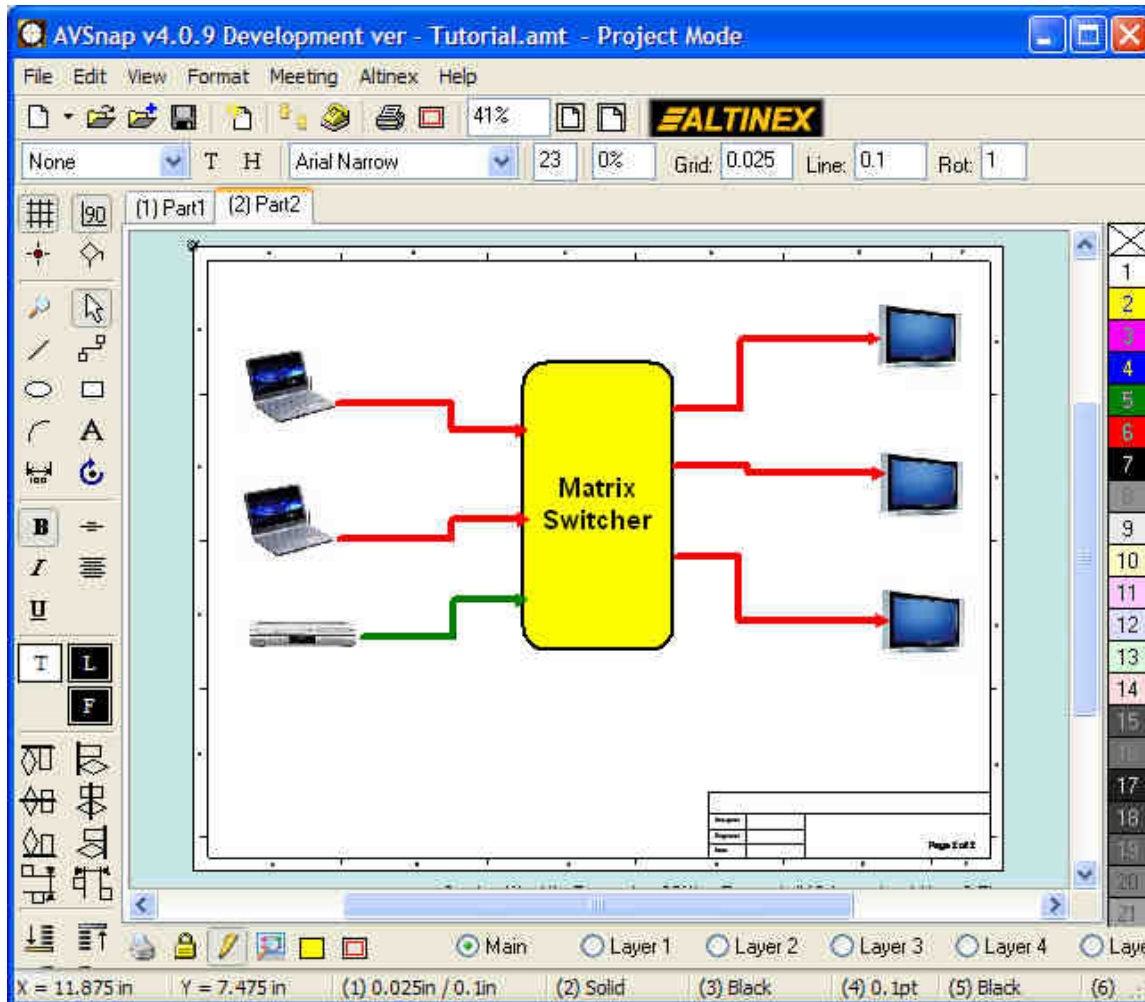


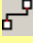
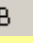


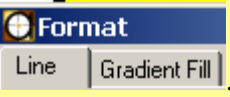
Select input colors for laptops and change them to red color too, leaving the cable from VCR as green color.

Step 3: Add arrow to cables

Select cables for which you would like to add arrow and click “.” (period) key for right arrow and “,” (comma) key for left arrow. Multiple presses will create arrows in different directions.

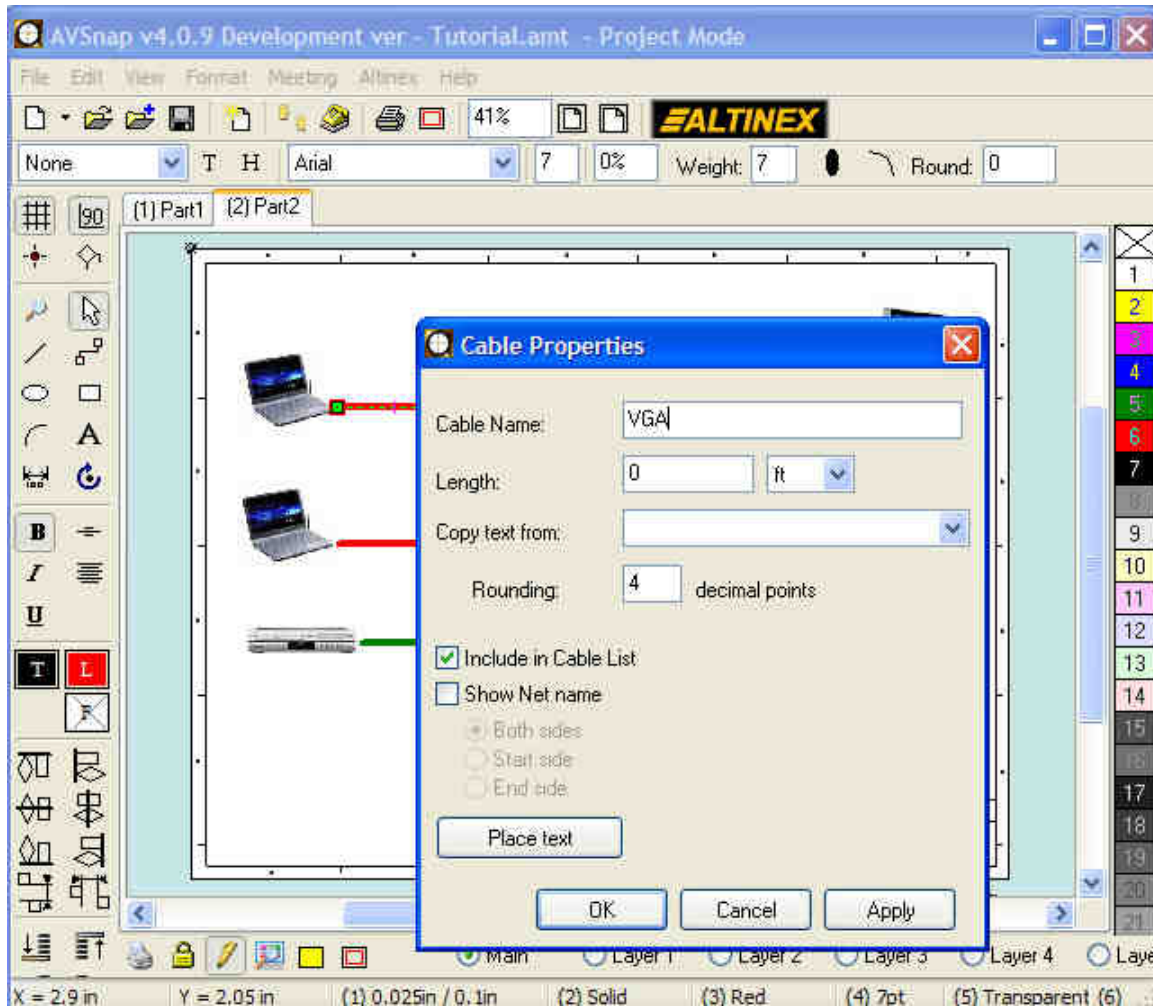


Tip: the alternative way to add the cable arrow is to right click the cable, select Cable  Cable...  and select arrows on the beginning or on the

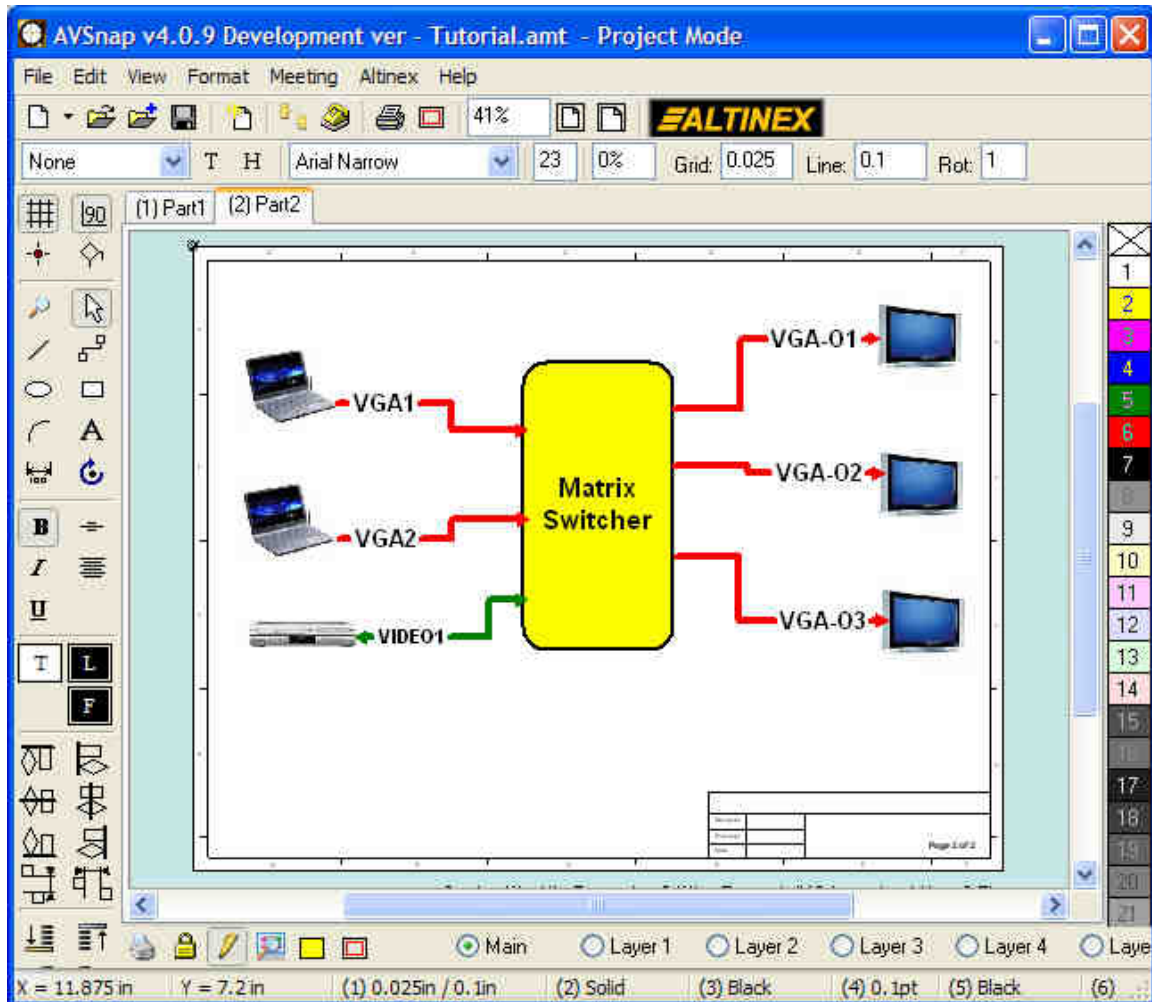
end with the pointing direction under the Line Tab . The dialog box shows "Format" with "Line" and "Gradient Fill" tabs.

Step 4: Assign Cable names

Each cable can have its own name that can be used as a label. Select cable by clicking on it and press shortcut "K". Enter new cable name in provided text box. You can also insert cable length there.

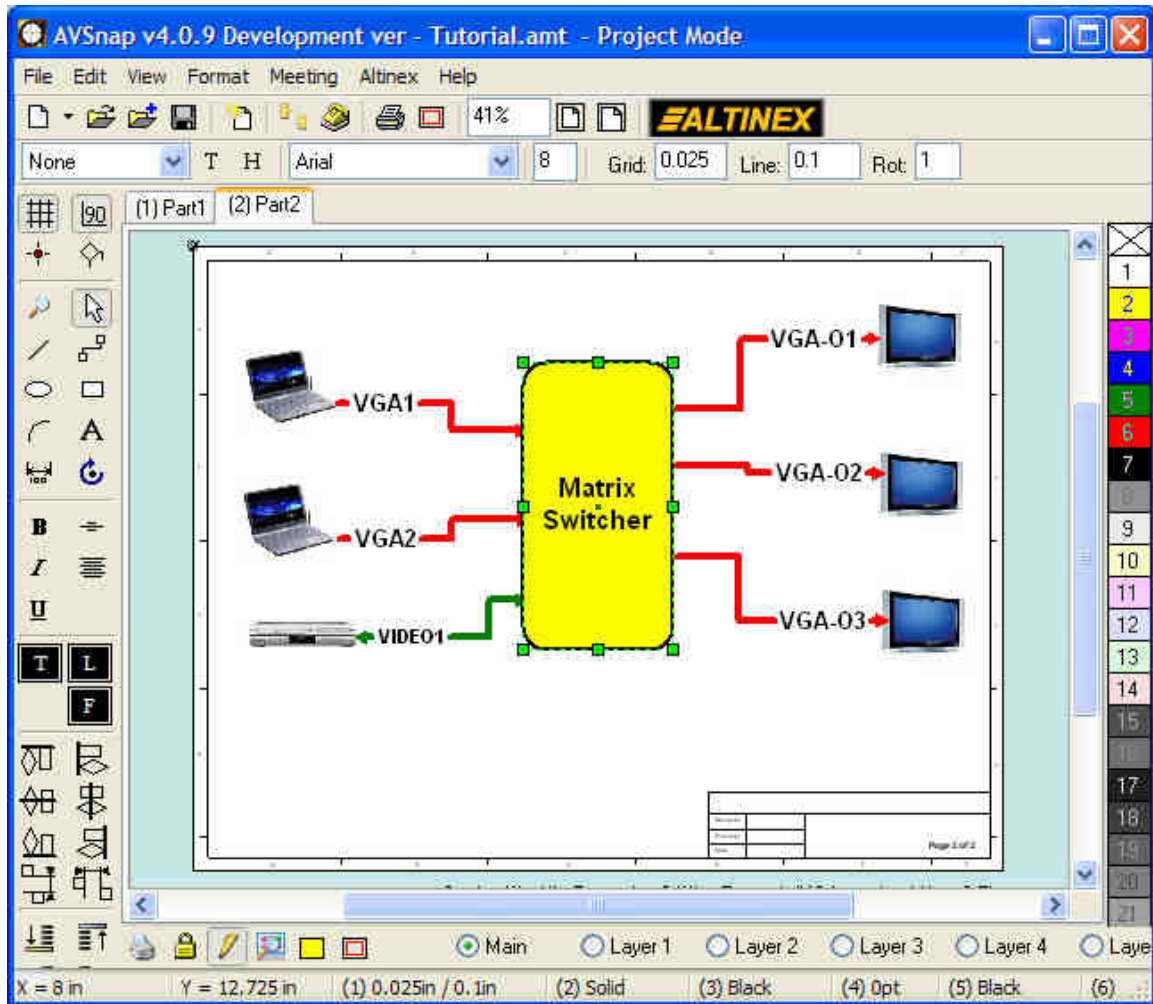


Assign cable names to all cables. Use comma or period keys to display the net name on the cable. While a cable is selected, adjust color or size of the text with controls available in text format bar.

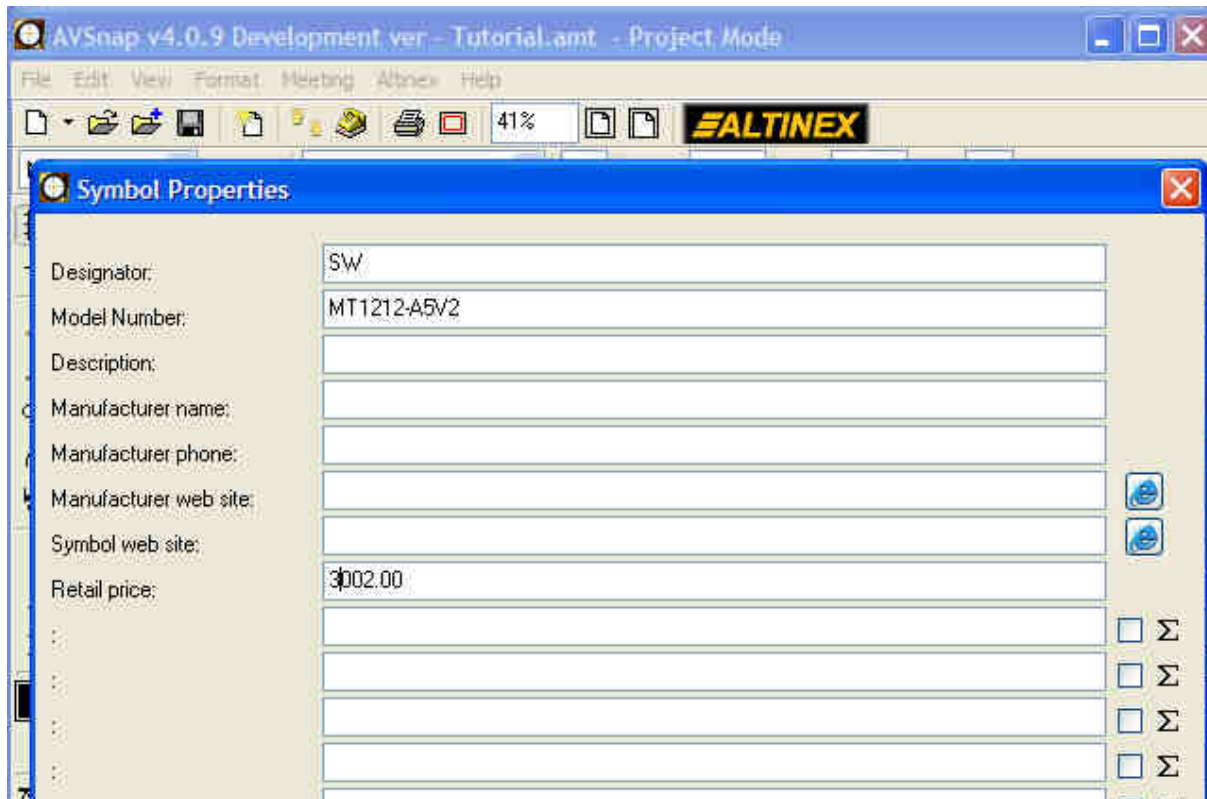


Step 5: Provide model no. and pricing for the matrix switch

Select Matrix Switcher rectangle, right click on it and select “Convert to Symbol” menu.



Once converted, double click on the rectangle and enter model number and price for the switcher.



This info will be used in the next tutorial to help present the project with the necessary product info and pricing to customers.

Step 6: Print deign

Use Shortcut "Ctrl P" to preview your design and print it. Select "Fit to page" for best results.

Step 7: Save the file

Select File -> Save menu and save the created file.